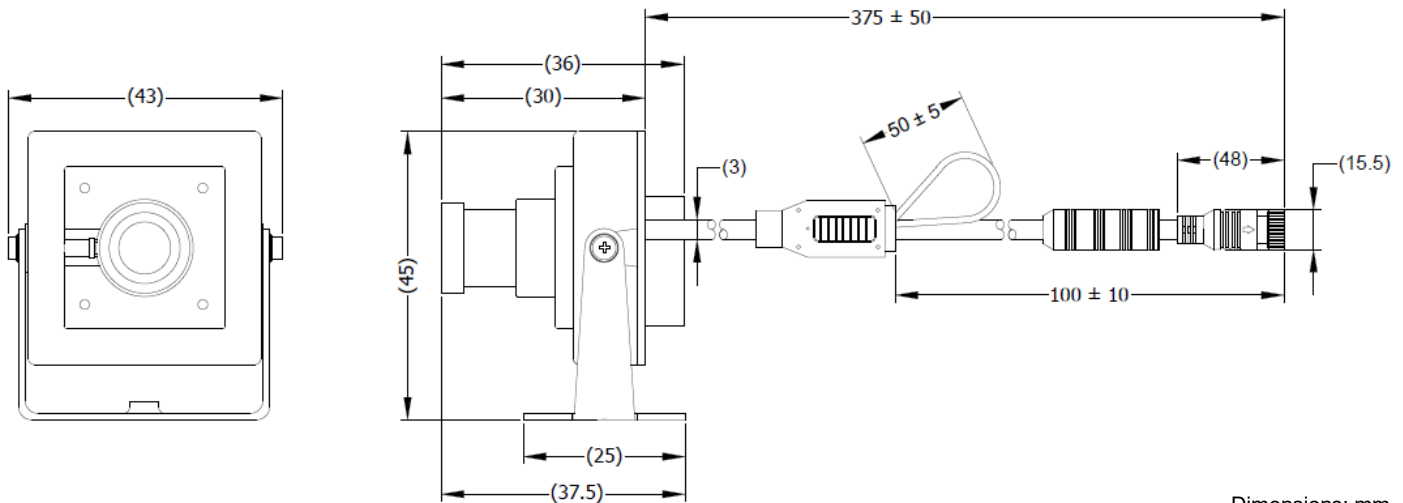


Product Specification



Brigade Model Number:	DMC-1021	DMC-1025	DMC-1031	DMC-1035
Brigade Part Number:	5715	5717	5719	5721



Dimensions: mm

Environmental Specifications:

- Shock Rating: 51 G
- Vibration Rating: 10 G
- Camera IP Rating: IP30
- Connector IP Rating: IP67
- Operating Temperature: -30° to +85°C
- Storage Temperature: -40° to +85°C

Approved Standards:

- CE - (EN 55032:2015
EN 55024:2010 + A1:2015)
- FCC - (47 CFR Part 15 Subpart B)
- IC - (ICES -003 Issue 6)
- 'E' Mark - (ECE Regulation 10 Rev 05)
- RoHS
- WEEE

Technical Specifications:

- Operating Voltage: 12 Vdc ± 2 Vdc
- Current Consumption: ≤ 55mA @ 12 Vdc
- Power Consumption: ≤ 1 Watts @ 12 Vdc
- Imaging Devices: CMOS - 1/3" ON-Semi
ISP - Nextchip
- TV System:
 - DMC-1021 CVBS (NTSC)
 - DMC-1025 CVBS (PAL)
 - DMC-1031 AHD 1.0 (720p-30fps)
 - DMC-1035 AHD 1.0 (720p-25fps)
- Picture Elements: 1280(H) x 960(V)
- Horizontal Visual Resolution:
 - DMC-1021 / DMC-1025 600 TV Lines
 - DMC-1031 / DMC-1035 900 TV Lines
- Lens Focal Length: 4.04mm
- Signal to Noise Ratio: Max. 44dB

Technical Specifications Continued...

- Required Illumination: 0.5 Lux
- Viewing Angle: 68°(H), 38°(V), 80°(D)
- Installed Weight: Approx. 80 Grams
- Video Output: 1 Vp-p / 75Ω
- Length of Cable: 375 ± 50mm
- Overall Dimensions: 43mm (W) x 37.5mm (D) x 45mm (H)
- Housing Material: Aluminium Alloy
- Camera View: Configurable - Mirror/Normal
- Finish: Black Paint

Features:

- Available in CVBS or AHD 1.0 (720p) signal format
- High quality ON-Semiconductor image sensor
- High quality Nextchip image signal processor
- Compact size
- Automatic White Balance
- Back Light Compensation
- Fixed IRIS
- VBV Type Female Connector

Package Contents:

- 1 x MD-XX-C - Camera only
 - 1 x DMC-1021-C for CVBS (NTSC)
 - 1 x DMC-1025-C for CVBS (PAL)
 - 1 x DMC-1031-C for AHD 1.0 (720p-25fps)
 - 1 x DMC-1035-C for AHD 1.0 (720p-30fps)
- 1 x DMC-10XX-BKT - Bracket
- 1 x DMC-10XX-FIX - Fixing Kit
- 1 x DMC-10XX-IG - Installation Guide